

# VENTILATOR TILT FRAME

For parts or service information, contact:  
Super Vacuum Manufacturing Company,  
Inc.

PO Box 87  
Loveland CO 80539

Phone: 1-800-525-5224  
970-667-5146  
Fax: 970-667-4296  
Internet: [www.supervac.com](http://www.supervac.com)



***SUPER VAC***

***THE VENTILATION SPECIALISTS***

ELECTRIC VENTILATOR

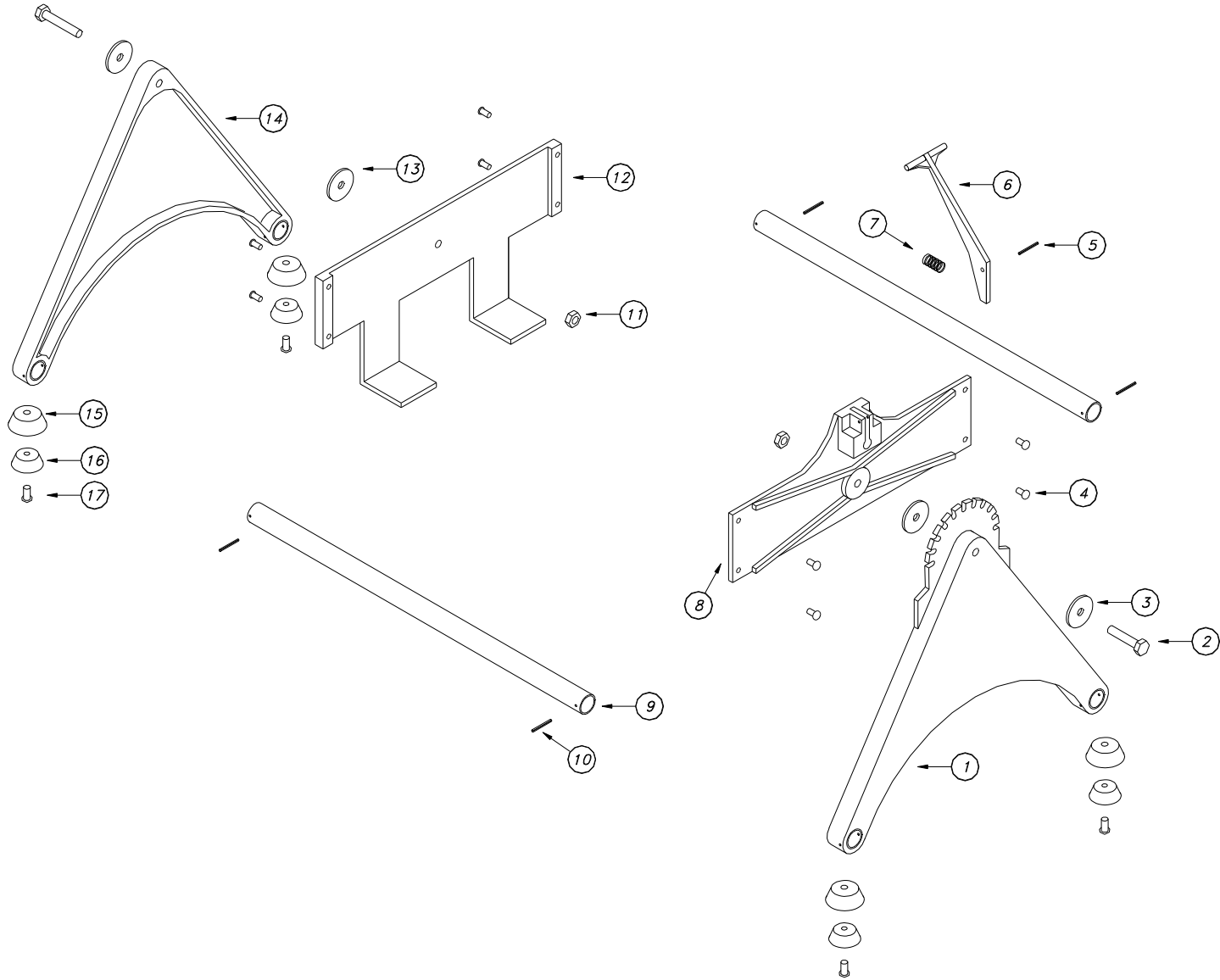
**1. Parts List**

**MODEL**  
**TILT FRAME**

ITEM	PART NUMBER	QUANTITY	DESCRIPTION
1	017-10370	1	TILT FRAME HS A FRAME LATCH
2	032-10809	2	3/8-24 X 2" HEX CS ZINC
3	032-11129	2	3/8" FLAT WASHER USS ZINC
4	032-10725	8	1/4-20 X 5/8" PHIL RH MS ZINC
5	033-10871	1	3/16" X 1/2" ROLL PIN ZINC
6	017-10376	1	TILT FRAME LATCH HANDLE
7	024-10538	1	SPRING HS LATCH #JJ-97
8	017-10374	1	TILT FRAME HS CROSS BRACKET W/LATCH
9	002-10023	2	ALUMINUM TUBE .063" WALL X 1" OD
10	033-10872	4	3/16" X 1 1/2" ROLL PIN ZINC
11	032-11136	2	3/8-24 NYLOK THIN HEX ZINC
12	017-10372	1	TILT FRAME HS SIDE BRACKET
13	008-10212	2	WASHER FLAT #17W14930 MICRO-PLASTIC
14	017-10371	1	TILT FRAME HS A FRAME
15	008-10207	4	FOOT CAPS 18GA 2" PLATED
16	024-10526	4	FEET #106-W 2"
17	032-10725	8	1/4-20 X 5/8" PHIL RH MS ZINC

ITEM	PART NUMBER	QUANTITY	DESCRIPTION

## 2. Exploded View Drawing



### 3. Warranty

#### **Limited Warranty Five Years**

Super Vacuum Manufacturing Company warrants that the equipment is free from defects in materials and workmanship when used and operated for a period of five years. The responsibility of Super Vacuum Manufacturing Company under this limited warranty is limited to the repair and replacement of any parts which are found defective and which are returned to Super Vacuum Manufacturing Company at 1303 East 11th Street, Loveland, Colorado 80537 with transportation charges prepaid (C.O.D. shipments will not be accepted).

Prior to returning defective parts to SUPER VACUUM MANUFACTURING COMPANY, the original purchaser shall make a claim in writing to SUPER VACUUM MANUFACTURING COMPANY at the above address indicating the model number and type of defect. No parts or equipment will be received by SUPER VACUUM MANUFACTURING COMPANY for repair or replacement under this warranty without specific written authority from it in advance.

Any parts damaged by improper installation, overloading, abuse or accident of any type or cause are not covered by this warranty.

All equipment manufactured by us is pre-run and tested before leaving our plant, and is shipped in good working order and condition. We therefore extend to the original purchasers the following Limited Warranty for the period of five years from the original date of purchase:

1. This warranty does not apply to defects caused by accident, misuse, neglect, or wear and tear, nor can we be held responsible for incidental and consequential expense and loss, nor does this warranty apply to equipment where alterations have been executed without our knowledge or consent. These conditions are readily discernable when the equipment is returned to us for inspection.
2. On all component parts not manufactured by SUPER VACUUM MANUFACTURING COMPANY, their warranty is to the extent that the manufacturer of such component warrants them to SUPER VACUUM MANUFACTURING COMPANY, if at all. Look in your local business phone directory for the nearest repair station for the brand of parts you have or write to us for the address.
3. If equipment received is found to have been damaged in transit, a claim should be made against the carrier within three days, as we assume no responsibility for such damage.
4. Any service other than our Authorized Service voids this warranty.
5. This warranty is in lieu of and is intended to exclude all other warranties, express or implied, oral or written, including any warranties of MERCHANTIBILITY or FITNESS for a particular purpose.